

ROUND 2 OPEN HOUSE

This page is intentionally left blank.

Open House Report

Round Two Public Involvement Program for the proposed Keeyask Transmission Project

Location: Gillam Recreation Centre (Blue Room)

Date & time: September 12, 2012 (4:30 – 7:30 PM)

Advertising and Public Notices

- An advertisement was placed in the Nickel Belt News (published on September 7, 2012 - Attachment A).
- Notices were posted at several locations in Gillam (Attachment A).

Open House Materials

- 15 storyboards were placed on easels at the Recreation Centre (Attachment A).
- The storyboards described: the purpose of the open house, the public engagement process, the SSEA process, the goals of the open house, need and purpose of the project, project schedule, project description, feedback from Round 1 of public consultation activities, potential effects of the project and proposed mitigation, employment opportunities, and the regulatory licensing process.
- A map showing the preferred route and the location of proposed project infrastructure (Attachment A) was available for attendees to take with them.
- 4 large maps showing the project study area and preferred route for the Construction Power, Generation Outlet Transmission lines and infrastructure were placed on tables so that attendees could clearly see the route.
- Comment forms were available for attendees to record their comments on the route options and environmental assessment process (Attachment A).
- Representatives from Manitoba Hydro and some of its environmental consultants were available to answer questions from attendees.

Questions and Comments from Attendees on the Preferred Route

Questions and comments were received from the attendees through conversations with Manitoba Hydro representatives and the environmental consultants. A summary of comments and questions related to the preferred route is provided below:

Open House Report

Round Two Public Involvement Program for the proposed Keeyask Transmission Project

- Several participants asked what factors were considered in selecting the preferred route for the generation outlet transmission lines. Manitoba Hydro noted in response to these questions that the factors were considered included:
 - The preferred route requires the fewest water crossings of the alternatives examined;
 - Follows other existing or proposed infrastructure;
 - Has the shortest overall length of route alternatives considered;
 - Minimizes effects on caribou;
 - Has fewer rare, uncommon and cultural plants in the footprint;
 - Cost considerations;
 - Reliability considerations (separating the primary construction power line and the back-up construction power line).
- One participant expressed concern with sight lines on the construction power line route and the effect this would have on hunting and wildlife. Manitoba Hydro noted that some vegetation can be maintained to a certain height in the right-of-way and this can minimize sight-line effects.

Other Questions and Comments

- Some participants noted there are effects on local residents related to having construction workers in the area. It was noted there have been problems on past hydro projects from interactions between local residents and construction workers.
- One participant asked whether guy wires would be marked for snowmobilers to see. Manitoba Hydro responded that guy wires would have yellow cable protectors so that they are visible to snowmobilers.
- One participant asked about the location of the proposed South Access Road. The location of the proposed South Access Road was shown to the participant on the preferred route map available at the open house.
- One participant noted there used to be a lot of berries near Gillam and now people have to travel much farther to find them.
- Some participants noted Manitoba Hydro should have Cree names put on their maps.
- One participant noted Manitoba Hydro should provide safety education to youth to help prevent accidents around electricity infrastructure.

Open House Report

Round Two Public Involvement Program for the proposed Keeyask Transmission Project

ATTACHMENT A

OPEN HOUSE MATERIALS

Open House Report

Round Two Public Involvement Program for the proposed Keeyask Transmission Project



An Invitation to Attend

Public Open House

Keeyask Transmission Project: Round Two – Preliminary Preferred Routes

Manitoba Hydro is proposing to develop the Keeyask Transmission Project which includes four 138kV transmission lines for construction and operation of the Keeyask Generating Station. These lines will connect the Keeyask Generating Station to the Radisson Converter Station outside of the Town of Gillam.

Round Two of the Public Engagement Program has been planned to inform interested Manitobans about the Keeyask Transmission Project. Round Two will offer an opportunity for the public to comment on the Preliminary Preferred Routes being proposed for the project.

For more information about the Public Engagement Program, please contact David Block at 1-204-360-7353 or email dblock@hydro.mb.ca

Location:
Gillam, Manitoba

Venue:
Gillam Recreation Centre
Blue Room, 2nd floor

Date:
Wednesday, Sept. 12, 2012

Time:
4:30 to 7:30 p.m.

All are welcome to attend.

Refreshments will be served.



Open House Report

Round Two Public Involvement Program for the proposed Keeyask Transmission Project

Friday, September 7, 2012
Columnists

Nickel Belt News • www.thompsoncitizen.net

Page 5

RCMP make drug bust in God's Lake Narrows

BY IAN GRAHAM
IAN@THOMPSONCITIZEN.NET

God's Lake Narrows RCMP seized cocaine with a street value of \$4,500 and \$80 cash after executing a search warrant at a residence in the community on Aug. 29.

Twenty-four-year-old Stephanie Paton of Winnipeg and 30-year-old Melissa Okemow of God's Lake Narrows were charged with pos-

session for the purpose of trafficking under the Controlled Drugs and Substances Act after a search of a residence turned up 85 flaps of cocaine.

Paton was remanded into custody and scheduled to appear in court in Thompson on Sept. 4. Okemow was released on her own recognizance and is due to appear in court in God's Lake Narrows on Oct. 24.



Photo courtesy of God's Lake Narrows RCMP
RCMP seized 85 flaps of cocaine and \$80 cash after executing a search warrant at a God's Lake Narrows residence on Aug. 29.

Northerners celebrate Labour Day

I was pleased to once again be able to celebrate Labour Day at the Steel Centre in Thompson.

Once again the Steelworkers joined with the labour movement in Thompson to host a community event celebrating the contributions of working people to Canada.

I was pleased to speak about the contributions of working people and the labour movement to Northern Manitoba and Canada.



Steve Ashton

MLA
Report
ashton@mts.net

I pointed out that this year marks the 50th anniversary of the Local 6166 in Thompson. In many ways the more things have changed the more

they stay the same. The fight for fair wages, decent working conditions and jobs continues. I also pointed out that the labour movement has

always fought not just for its members but also for all the 99 per cent. Much has been accomplished but there is more to do.

The labour movement has played an important role in our community and throughout Northern Manitoba. Labour Day was an important opportunity to celebrate the accomplishments but at the same time commit us to going forward not back on fairness for working people.

friend us on facebook, follow us on twitter,
join the discussion!!

Thompson's Northern Market

WHEN?

5 pm - 9 pm, Friday, September 7, 2012
10 am - 3 pm, Saturday, September 8, 2012

WHO?

Local/Regional Crafters, Food and Fish Producers, and Small Home Based Businesses

WHERE?

Held in Conjunction with Leisure Mart at Thompson Regional Community Center

FREE ADMISSION!

For more information or to become a Vendor Contact

Roxie at 677-1903 or Betty at 677-1904

Supporting your Northern Market is a great way to be Eco Friendly.

BROUGHT TO YOU BY



Futures Food Products
MEAT & SEAFOOD
John Santano
Toll Free: 1-877-276-8600 Cell: 204-979-0719
Covers all our prime and processed meats
www.futuresfoodproducts.ca

NEW MENU
COMING SOON

4 Moak Cres. (Thompson, MB)
Phone 677-0111
Earn AIR MILES®
ORDER ONLINE!
www.bostonpizza.com
NEW MENU ITEMS FEATURED WEEKLY

An Invitation to Attend

Keeyask Transmission Project:
Round Two – Preliminary Preferred Routes

Manitoba Hydro is proposing to develop the Keeyask Transmission Project which includes four 138kV transmission lines for construction and operation of the Keeyask Generating Station. These lines will connect the Keeyask Generating Station to the Radisson Converter Station outside of the Town of Gillam.

Round Two of the Public Engagement Program has been planned to inform interested Manitobans about the Keeyask Transmission Project. Round Two will offer an opportunity for the public to comment on the Preliminary Preferred Routes being proposed for the project.

You are invited to attend an open house to learn about the project and contribute to the route selection process.

Gillam
Wednesday, Sept. 12, 2012
4:20 to 7:30 p.m.
Gillam Recreation Complex

All are welcome to attend.
Refreshments will be served.

Manitoba Hydro

www.thompsoncitizen.net

VALE

Reduce risk to ALARA at Water Treatment Plant

ALARA stands for As Low As Reasonably Achievable. In order to reduce risk to ALARA at the Water Treatment Plant, two fences have been installed.

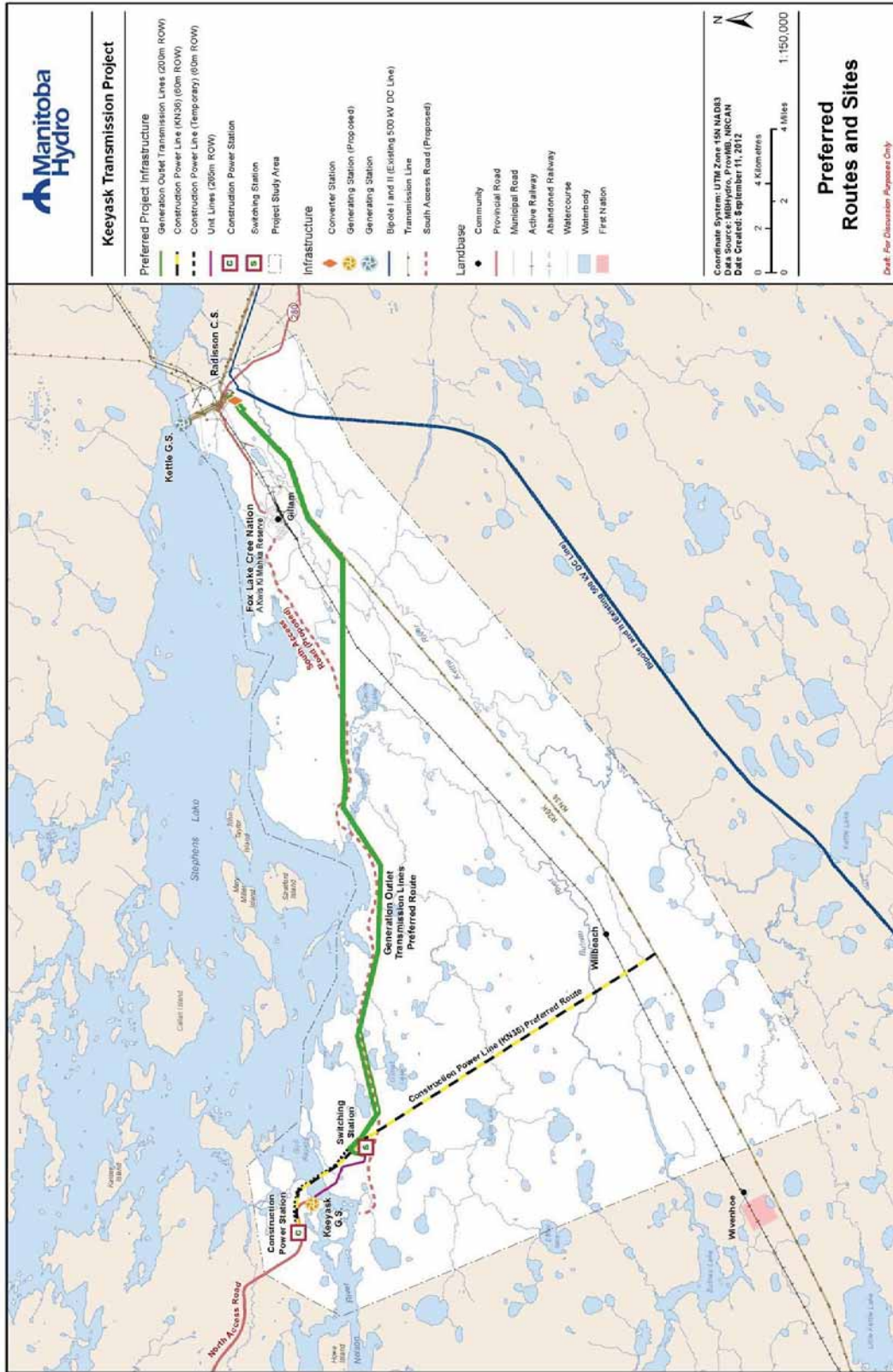
One fence surrounds the plant building, yard and reservoirs and is a security fence.

The second fence is of architectural design and is located on the Burntwood Road side of the building. The main purpose of the second fence is to prevent recreational vehicles from using the property as a thoroughfare. It is a steel fence bolted to steel fence posts cemented into the ground.

Help reduce risk to ALARA by keeping all recreational vehicles off the Water Treatment Plant property. That includes snowmobiles, quads, trikes and dirt bikes.

Open House Report

Round Two Public Involvement Program for the proposed Keyask Transmission Project



Open House Report

Round Two Public Involvement Program for the proposed Keeyask Transmission Project

Comment Form

Round Two Public Involvement Program for the proposed Keeyask Transmission Project

Please take a moment to fill-out this brief questionnaire regarding information provided to you by the Study Team about the proposed Keeyask Transmission Project. Please leave the completed comment form with one of the project representatives.

1. The purpose of this open house is to provide you with an opportunity to review and comment on the preferred route, identify concerns and potential effects and discuss ways to minimize or avoid these effects. Did you find that this open house has provided you with sufficient opportunity to do so?

Yes No

If no, what additional information would be helpful?

2. Manitoba Hydro has identified a preferred route for the Generation Outlet Transmission Line. Do you have specific concerns about the preferred route? Do you feel that this is a good route? If so, why? If not, why not?

3. After reviewing the information boards and speaking with Study Team members, what concerns or issues do you have about the proposed Project?

4. Referring to the concerns that you noted previously, do you have any suggestions on how your concerns could be addressed?

5. Local knowledge can help to minimize potential project effects. Do you believe there are any potential impacts associated with the preferred route for the Generation Outlet Transmission Line that should be investigated?



Open House Report

Round Two Public Involvement Program for the proposed Keeyask Transmission Project

6. Do you have any suggestions on how we could improve the Public Involvement Program?

7. Additional comments

Optional information

Name _____
Address _____
Email Address _____
Telephone _____

Thank you for taking the time to complete the comment form. Your interest and participation are very important to the Environmental Assessment process.

For further information about the proposed Keeyask Transmission Project, please contact **David Block** at (204) 360-7353 or email: dblock@hydro.mb.ca



Keeyask Transmission Project

Public Open House

WELCOME



Purpose of the Open House

To provide:

- Information on the project
- Information on the environmental assessment process
- An opportunity to discuss comments and concerns
- A venue to receive your input on alternative routes being considered



Public Engagement Processes

The Public Engagement Process includes:

- Engagement with
 - local communities and administrations,
 - municipal and provincial government departments,
 - First Nations and Metis,
 - NGOs,
 - resource users and
 - other interested stakeholders



Site Selection and Environmental Assessment

The Environmental Assessment involves:

- Study area characterization
 - Biophysical (wildlife, vegetation etc.)
 - Socioeconomic (heritage resources, land use etc.)
- Public engagement
- Identification of:
 - Potential environmental effects
 - Mitigation measures
 - Follow-up actions
- Preparation of an Environmental Assessment Report



Manitoba Hydro Goals

- Keep the public informed of Manitoba Hydro activities in the region
- Provide timely and informative responses to questions and concerns
- Be open and transparent throughout the approval process
- Ensure local resident concerns are identified and considered throughout the process

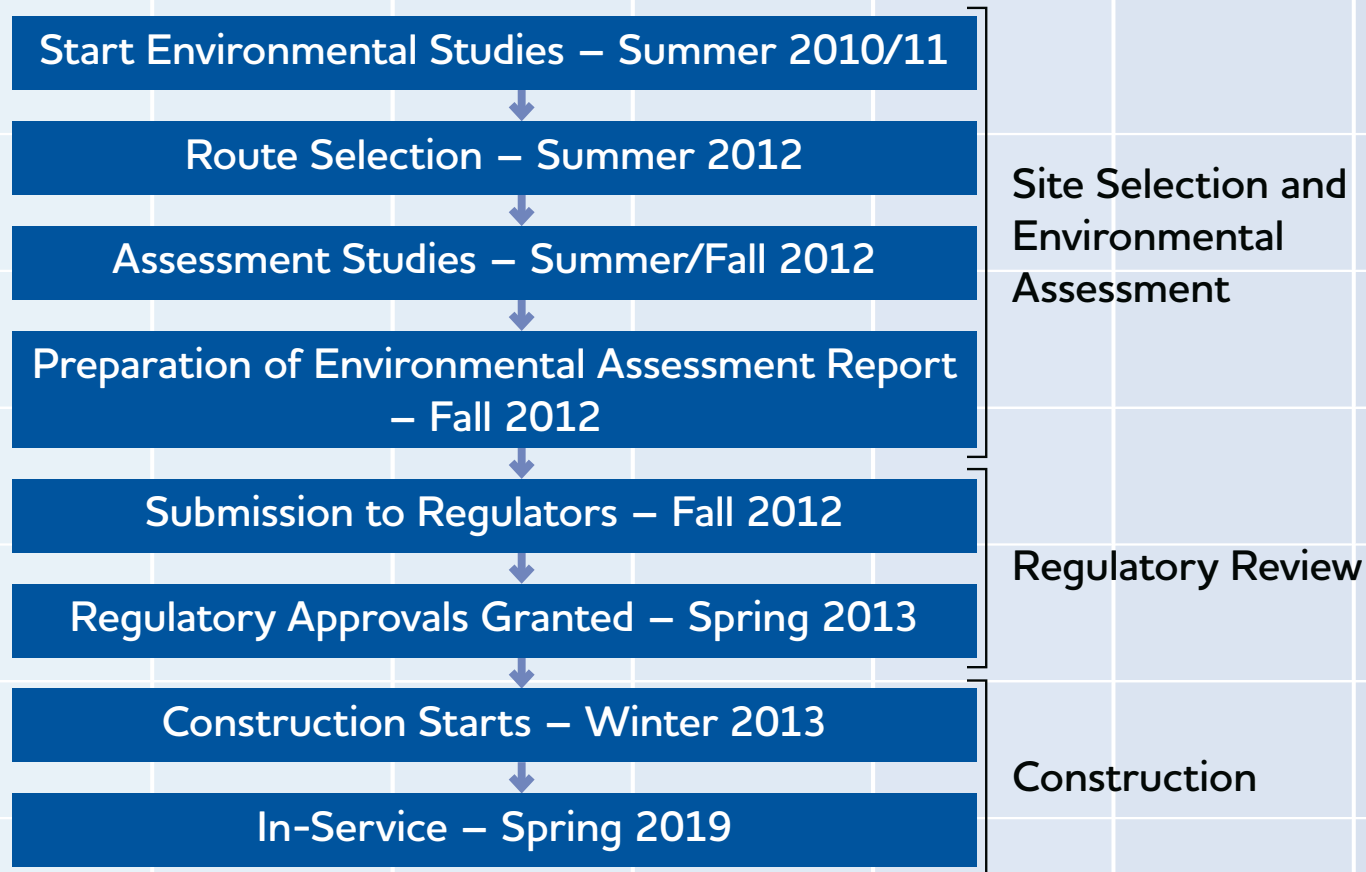


Need and Purpose of the Project

Manitoba Hydro requires new transmission infrastructure and modifications to existing transmission infrastructure for the construction and operation of the Keeyask Generating Station



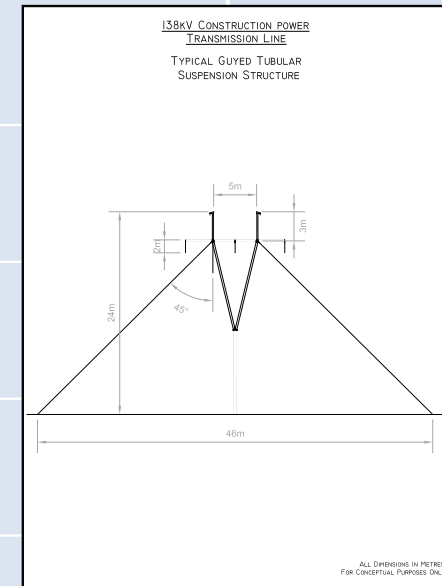
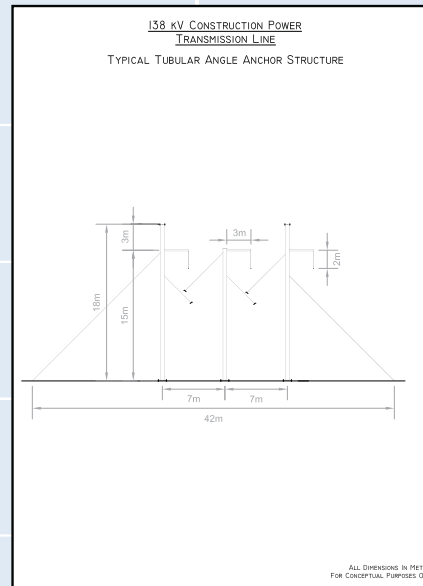
Project Schedule



Project Description

Two - 138 kV Construction Power Transmission Lines (One Permanent and One Temporary)

One - Construction Power Station

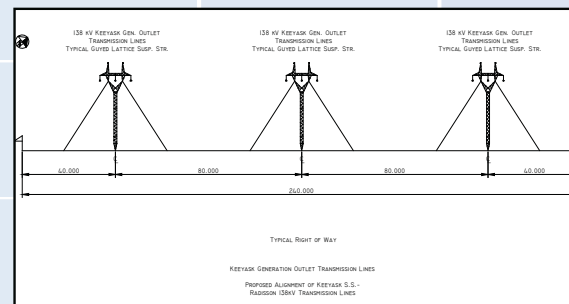
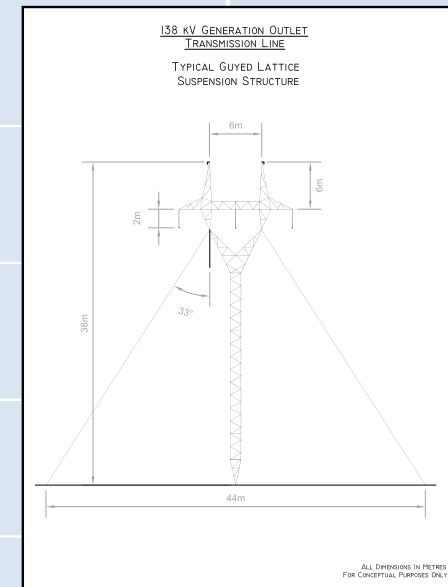
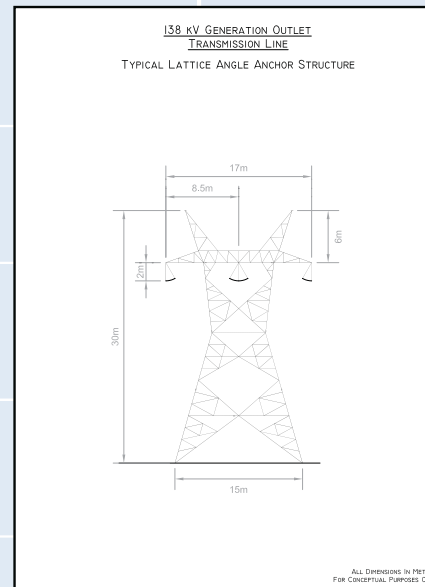


Project Description

Four - 138 kV Unit
Transmission Lines
from Keeyask GS to
Switching Station

One - Switching Station

Three - 138 kV Generation
Outlet Transmission
Lines that connect
the Switching
Station to Radisson
Converter Station.



What We Heard – Round 1

Participants of Round 1 of the Public Engagement Process:

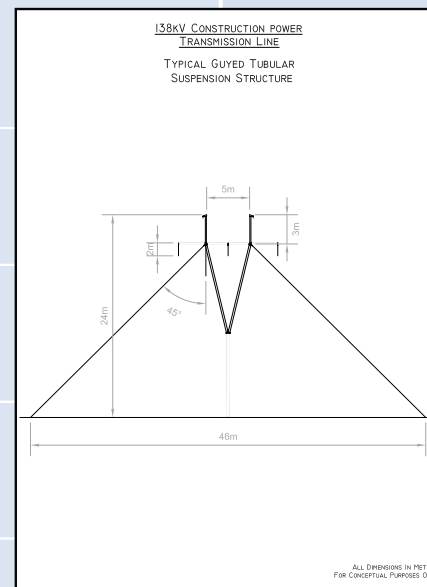
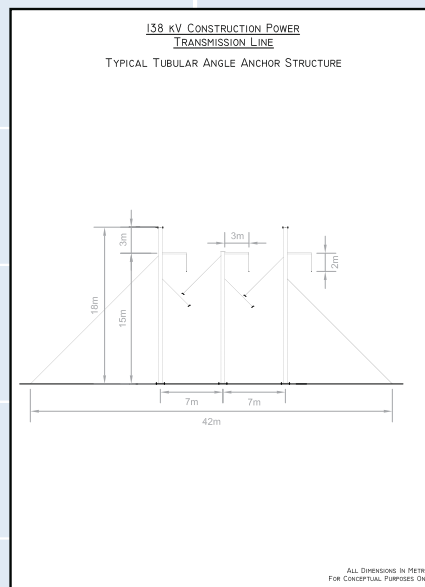
- Indicated a general preference for a route which followed existing rights-of-way for roads or transmission lines to minimize additional disturbance and clearance caused by the Project.
- Expressed interest in:
 - The type and number of employment and business opportunities associated with the Project.
 - Understanding how the Project will affect wildlife and habitat. An interest in effects on caribou in particular was noted.
 - Understanding how First Nations were involved in the site selection and environmental assessment process.
- Noted the Project Study Area has numerous existing or proposed hydro-electric developments (dams, transmission lines and converter stations). This was important as context for the Project's environmental studies.



Project Description

Two - 138 kV Construction Power Transmission Lines (One Permanent and One Temporary)

One - Construction Power Station

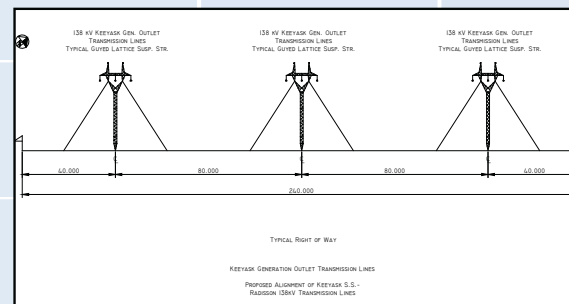
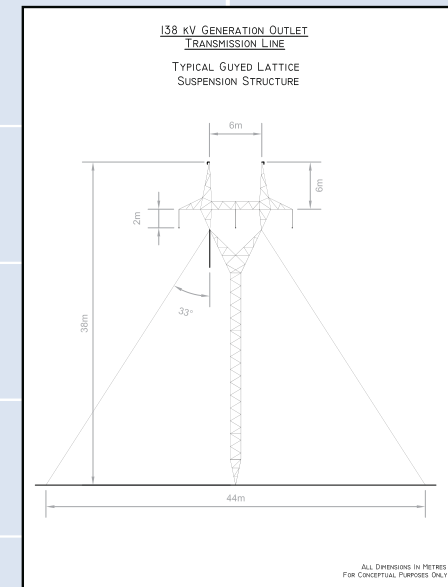
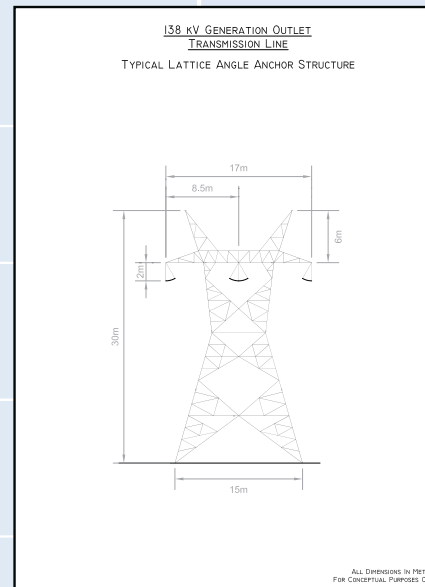


Project Description

Four - 138 kV Unit
Transmission Lines
from Keeyask GS to
Switching Station

One - Switching Station

Three - 138 kV Generation
Outlet Transmission
Lines that connect
the Switching
Station to Radisson
Converter Station.



Potential Effects and Mitigation

In addition to avoiding sensitive areas identified through the site selection process, additional mitigation measures will include:

- Implementation of an Environmental Protection Plan to minimize disturbances during construction.
- Scheduling construction activities during appropriate seasons to minimize conflicts with sensitive species.
- Avoiding the use of heavy machinery in sensitive areas.
- Ongoing communication between Manitoba Hydro and local communities to identify and address potential issues that arise.



Potential Effects and Mitigation

Potential adverse effects of the Project are avoided or minimized through the site selection process. Remaining effects will be examined in the Project's environmental assessment report and will include (but not limited to):

- Effects on caribou and other wildlife related to clearing and maintenance of rights-of-way and presence of project infrastructure.
- Effects on fish and fish habitat related to stream crossings.
- Effects on resource use as a result of access created by the Project during construction and operations.
- Effects on traffic due to shipping and transportation during construction.
- Effects on local people and communities related to the presence of construction workers.
- Effects on culture and heritage related to the construction and operation of the Project.



Employment Opportunities

Contracts, when publicly tendered, require recruitment sessions by contractors in nearby communities to promote local employment.

Types of Positions:

- equipment operators,
- truck drivers,
- tower assemblers and
- other general labourer positions



Regulatory Licensing Process

- Requires a Class 2 Licence, under the *Environment Act* (Manitoba)
- Environmental Assessment Report submission in October 2012
- Regulatory Review



Comment Form

Please complete a comment form and leave it in the box provided

- Let us know if you have any comments or concerns about the proposed Keeyask Transmission Project
- Tell us if you may be directly or indirectly affected by the proposed project and provide any actions you feel Manitoba Hydro can take to avoid or minimize any potential effects

Thank you for attending the Open House and providing your valuable input into the proposed Keeyask Transmission Project



This page is intentionally left blank.